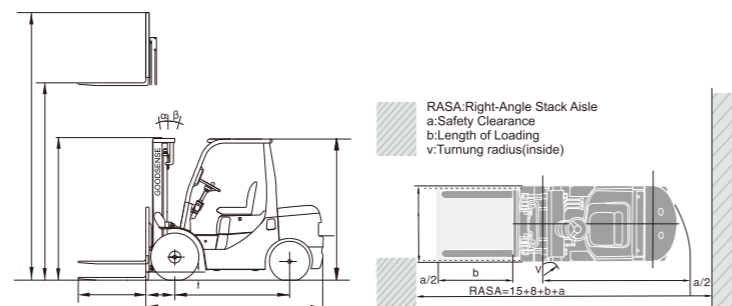
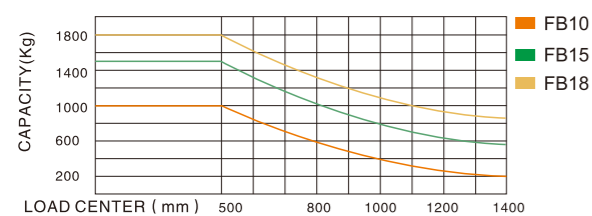


4-WHEEL ELECTRIC FORKLIFT 1.0-1.8 TON

General	1	Model	FB10	FB15	FB18		
	2	Power Type	Electric	Electric	Electric		
3	Rated Capacity	kg	1000	1500	1800		
4	Load Centre	mm	500	500	500		
5	Lift Height	mm	3000	3000	3000		
Characteristic&Dimension	6	Fork Size	L×W×T	920x120x35	920x120x35	920x120x35	
	7	Mast Tilt Angle	F/R	6°/12°	6°/12°	6°/12°	
	8	Front Overhang (Wheel center to fork face)	mm	420	420	420	
	9	Tread	F/R	890/920	890/920	890/920	
	10	Ground Clearance (Bottom of mast)	mm	115	115	115	
	11	Fork Spread	Min./Max.	240/970	240/970	240/970	
	12	Overall Dimension	Length to face of fork (Without fork)	mm	2150	2150	2150
	13		Overall Width	mm	1090	1090	1090
	14		Mast Lowered Height	mm	1995	1995	1995
	15		Mast Extended Height(With backrest)	mm	3945	3945	3945
	16	Overhead Guard Height	mm	2170	2170	2170	
	17	Turning Radius (outside)	mm	1950	1950	1950	
	18	Min.insecting aisle	mm	2050	2050	2050	
	Performance	19	Speed	Travel (Empty load)	km/h	15	15
20		Lifting(Full load)		mm/s	310	280	250
21		Max. Gradeability	%	15	15	15	
Chassis	22	Tire	Front	6.50-10-10PR	6.50-10-10PR	6.50-10-10PR	
	23		Rear	5.00-8-10PR	5.00-8-10PR	5.00-8-10PR	
	24	Wheelbase	mm	1380	1380	1380	
	25	Service weight	kg	2920	3070	3220	
Power&Transmission	26	Motor	Drive Motor	kw	8	8	8
	27		Lift Motor	kw	8.6	8.6	8.6
	28	Battery	Voltage/Capacity	V/Ah	48/400	48/440	48/495
	29	Controller	Manufacturer		CURTIS	CURTIS	CURTIS
	30		Type		AC	AC	AC
	31		Operating Pressure for Attachment	Mpa	14.5	14.5	14.5


1.0-1.8 TON 4-WHEEL ELECTRIC FORKLIFT MAST

Type	Model	Lift Height (mm)	Load Capacity (kg)			Overall Height (mm)			Free Lift (mm)		Tilt Angle
						1.0-1.8t			1.0-1.8t		
			1t	1.5t	1.8t	Mast Lowered	Mast Extended		Mast Extended		
Wide view 2-stage mast	M200	2000	1000	1500	1800	1495	2940	2540	-	-	6/12
	M250	2500	1000	1500	1800	1745	3440	3040	-	-	6/12
	M300	3000	1000	1500	1800	1995	3940	3540	-	-	6/12
	M330	3300	1000	1500	1800	2145	4240	3840	-	-	6/12
	M350	3500	1000	1500	1800	2245	4440	4040	-	-	6/12
	M370	3700	1000	1500	1800	2345	4640	4240	-	-	6/12
	M400	4000	950*1000	1400*1500	1600*1800	2545	4940	4540	-	-	6/12
	M450	4500	900*950	1350*1400	1350*1600	2795	5440	5040	-	-	6/6
	M500	5000	900*930	1100*1300	1150*1500	3045	5940	5540	-	-	6/6
	M550	5500	700*900	800*1200	850*1400	3345	6540	6040	-	-	3/6
Full free 2-stage mast	M600	6000	450*850	550*1000	550*1150	3395	6940	6540	-	-	3/6
	Z200	2000	1000	1500	1800	1495	2950	2550	485	885	6/12
	Z250	2500	1000	1500	1800	1745	3450	3050	735	1135	6/12
	Z300	3000	1000	1500	1800	1995	3950	3550	985	1385	6/12
	Z330	3300	1000	1500	1800	2145	4250	3850	1135	1535	6/12
	Z350	3500	1000	1500	1800	2245	4450	4050	1235	1635	6/12
	Z370	3700	1000	1500	1800	2345	4650	4250	1360	1760	6/12
	Z400	4000	950*1000	1400*1500	1600*1800	2545	4950	4550	1535	1935	6/12
Full free 3-stage mast	S370	3700	1000	1500	1800	1745	4545	4140	790	1190	6/6
	S400	4000	900*1000	1400*1500	1600*1800	1870	4945	4440	915	1315	6/6
	S435	4350	900*950	1300*1400	1550*1770	1955	5295	4890	1000	1400	6/6
	S450	4500	900*930	1350*1400	1350*1600	2045	5445	5040	1090	1490	6/6
	S480	4800	850*900	1300*1350	1250*1550	2145	5745	5340	1190	1590	6/6
	S500	5000	700*900	1100*1300	1150*1500	2245	5945	5540	1290	1690	6/6
	S550	5500	650*800	800*1200	850*1400	2410	6445	6040	1455	1855	3/6
	S600	6000	450*750	550*1000	550*1150	2595	6945	6540	1620	2020	3/6

**ELECTRIC FORKLIFT
1.0-1.8Ton**
